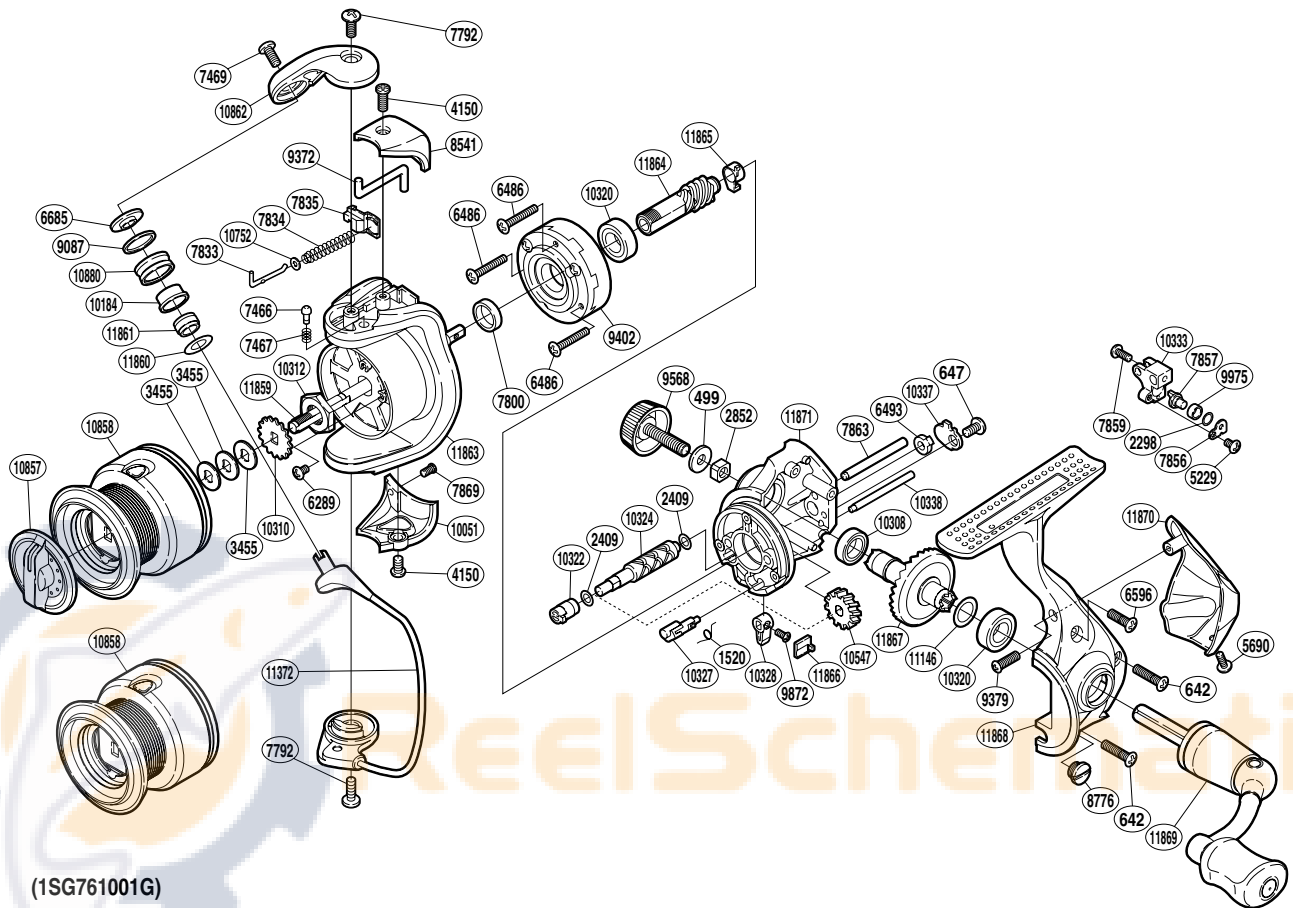


# SHIMANO

TECHNIUM SA-RB

TEC-1000FB



(1SG761001G)

Part No.	Description	Part No.	Description	Part No.	Description
RD 0499	Handle Lock Washer	RD 7856	Oscillating Pawl Cover	RD10333	Oscillating Slider
RD 0642	Screw	RD 7857	Oscillating Pawl	RD10337	Worm Shaft Retainer
RD 0647	Screw	RD 7859	Screw	RD10338	Oscillating Guide B
RD 1520	Anti-Reverse Cam Spring	RD 7863	Oscillating Guide A	RD10547	Idle Gear
RD 2298	Spacer	RD 7869	Screw	RD10752	Spring Guide A Support
RD 2409	Spacer	RD 8541	Bail Spring Cover	RD10880	Line Roller
RD 2852	Handle Screw Lock	RD 8776	Oil Cap	RD11146	Washer
RD 3455	Spool Washer	RD 9087	Line Roller Spacer	RD11372	Bail Assembly
RD 4150	Screw	RD 9372	Bail Trip Lever	RD11857	Drag Knob
RD 5229	Screw	RD 9379	Screw	RD11858	Spool Assembly
RD 5690	Screw	RD 9402	Roller Clutch Assembly	RD11859	Main Shaft
RD 6289	Screw	RD 9568	Handle Screw Cap	RD11860	Washer
RD 6486	Screw	RD 9872	Screw	RD11861	Line Roller Collar
RD 6493	Worm Bushing (rear)	RD 9975	Oscillating Slider Bushing	RD11862	Bail Arm
RD 6596	Screw	RD10051	Bail Hold Support Guard	RD11863	Rotor
RD 6685	Line Roller Washer	RD10184	Line Roller Bushing	RD11864	Pinion Gear
RD 7466	Click Pin	RD10308	Ball Bearing	RD11865	Pinion Gear Bushing
RD 7467	Click Spring	RD10310	Spool Support	RD11866	Anti-Reverse Lever Cover
RD 7469	Screw	RD10312	Rotor Nut	RD11867	Drive Gear
RD 7792	Screw	RD10320	Ball Bearing	RD11868	Side Cover
RD 7800	Rotor Ring	RD10322	Worm Bushing (front)	RD11869	Handle Assembly
RD 7833	Bail Spring Guide A	RD10324	Worm Shaft	RD11870	Rear Protector
RD 7834	Bail Spring	RD10327	Anti-Reverse Cam	RD11871	Body
RD 7835	Bail Spring Seat	RD10328	Anti-Reverse Lever		